

# Fold-away lift DH-RP.10

750 - 1000 Kg



# DHOLLANDIA



## Light fold-away lift with half-dip platform ride

The **DH-RP.10 1000 kg** is the strongest of 2 lifts forming a new generation of light weight yet robust fold-away lifts with **half-dip platform ride** from the vehicle floor to the ground.

In its travel position, the DH-RP.10 is safely stored underneath the chassis of the vehicle. It is ideal for operations needing frequent fork lift (un)loading or access to loading docks, and offers free access to the cargo space at all times. It is **very easy to use**, and has **minimal impact on the vehicle pay-load**; hence it is ideal for the occasional use and for rental fleets.

The DH-RP.10 is designed for commercial vehicles up to 12T GVW. In standard configuration, its operation is gravity-down. **Power-down** (double acting descend) is available as an option for the harshest winter conditions [option OAH025.1].



Flush mount with floor plate integrated inside the vehicle body



Mounting with floor extension plate added behind the rear sill of the vehicle

+ Light weight yet powerful fold-away lift for 600-1000 kg lift capacity

+ Easy-to-handle full aluminium platform. Superior finish.

+ Excellent price-quality ratio.

+ Available with **POWER-DOWN** function, and arctic oil (-51°C). Suitable for the coldest winter temperatures.

+ Hot-dip zinc plated or "galvanised" finish. Best possible protection against corrosion [OAT104].



Bolt-on mounting plates for quick and easy fitting [OAM010]



Robust pump unit 12V or 24V DC mounted at the side of the lift frame



Electrical controls without sensitive electronic components

## CHARACTERISTICS

DH-RP.10

### PLATFORM

- Weight-saving full aluminium platform (base section + foldable point)
- The folding- and unfolding of the platform and its foldable point is assisted by powerful torsion springs

### FUNCTIONAL & MECHANICAL CHARACTERISTICS

- Half-dip ride. Progressive platform tilt while lifting / lowering
- Alternative available with automatic tilt at ground level. See DH-RC.10
- Fixed stabiliser rods, no adjustable platform orientation

### HYDRAULIC CHARACTERISTICS

- 1 centrally mounted lift cylinder
- Electrical safety valves on all cylinders
- Manual emergency operation on all electrovalves
- Cylinder piston rods in hard-chromed stainless steel
- Cylinder(s) equipped with rubber gaiters
- Robust pump unit 12V or 24V DC mounted at the side of the lift frame
- Power-down (double acting descend) available as an option [OAH025.1 ]

### ELECTRICAL CHARACTERISTICS

- Exterior control box with main battery isolator switch and removable key [OAE030.BT]
- Electrical controls without sensitive electronic components
- Safe exterior controls with compulsory 2-hand operation
- Electric motor with thermal cut-out fuse

### FITTING

- Bolt-on mounting plates for quick and easy fitting [OAM010]
- Narrow arm width for mounting between the chassis beams
- Compact lift frame and short lift arms for fitting in a short mounting space
- Integrated floor plate for flush mounting available as an option [OAM003 / 004]

### FINISH & MAINTENANCE

- Low-maintenance bearings in all articulation points, plus grease nipples
- Hot-dip zinc plated or "galvanised" finish. Best possible protection against corrosion [OAT104].

Disclaimer: data and images of lifts and options are indicative, and may vary in function of the lift execution and vehicle details. Ask confirmation from Dhollandia.





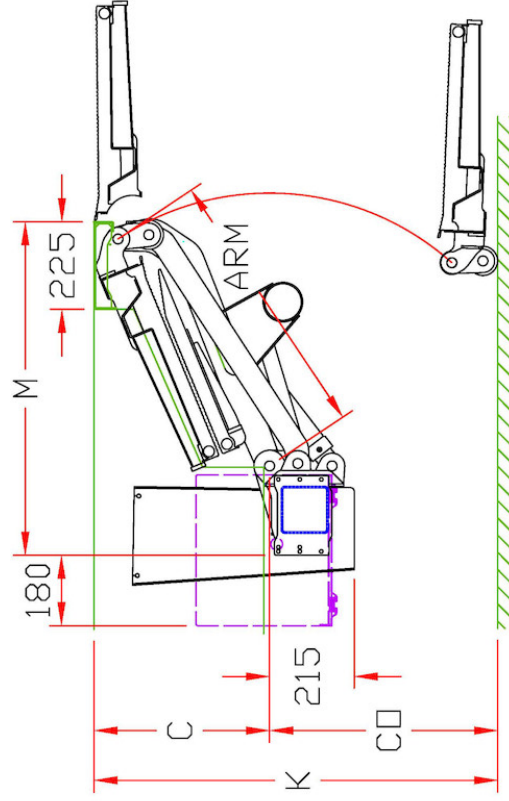
### TECHNICAL CHARACTERISTICS

DH-RP.10

<b>Lift frame</b>	120 x 120 mm
<b>Cylinders</b>	1 lift cylinder + 2 fixed stabilisers
<b>Type of ride</b>	Progressive inclination while lifting/lowering (half-dip ride)
<b>Platform material</b>	Alu/Alu
<b>Standard platform depths</b>	1050 - 1250 mm
<b>Standard platform widths</b>	1500 - 2000 mm
	Other widths on request [option OAP303]
<b>Lift arm lengths</b>	700 - 800 mm
<b>Lift arm widths</b>	565 mm
<b>Mounting</b>	- Flat floor extension plate [OAM004] - Cranked floor extension plate [OAM005]
<b>Standard control unit</b>	OAE030.BT
<b>Standard finish of the lift frame</b>	Hot-dip zinc plated finish [OAT104]

### MOUNTING DIMENSIONS

	700	800
<b>ARM</b>		
<b>K max.</b>	1050	1170
<b>K min. loaded</b>	820	915
<b>C max.</b>	465	520
<b>C min.</b>	350	400
<b>CO max.</b>	585	650
<b>M</b>	at C max.	925
<b>M</b>	at C min.	1005
<b>V max.</b>	1050	1250





OAE001 - Set of 2-button wander lead with spiral cable



OAE041.BP - Arctic control box with battery switch, with push-button safety switch



OAE503 - Cabin switch



OAE015.PR - Toggle switch control lift/lower (principal)



OAE200 - Platform lights DHOLLANDIA 12V/24V



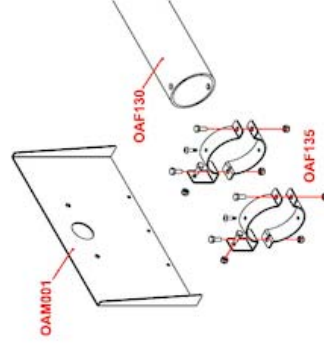
OAF130 - Round rotating bumper bar dia. 100



OAE015.O - Toggle switch controls lift/lower (option)



OAE500 - Wire connection VEHH



OAF135 - Brackets for light plates on bumper OAF130



OAE030.BT - Ext. control box with battery switch, and a turn-button safety switch



OAE501.12 - Cable VEHH - 12m



OAM004 - Rear floor traverse RP06/RP10 (tear plate)





OAM051 - Bed extension plate (N-A)



OAM052 - 1 side ladder for OAM051



OAP100.M - Manual rollstops in platform point



OAP100.A - Automatic rollstops in platform point



OAP620.C - Platform lock DH-RP with steel rope



OAT020 - Reflecting platform flags conform TÜV standard



OAT023 - Reflecting platform flags Export Red type



OAT136 - Anodisation DHS...alu/alu



OAU100 - Control box left (right steer wheel UK)

