



→ Passenger lift for Multi Passenger vehicles, minibuses and ambulances

## DH-PH1.03 • 300 kg



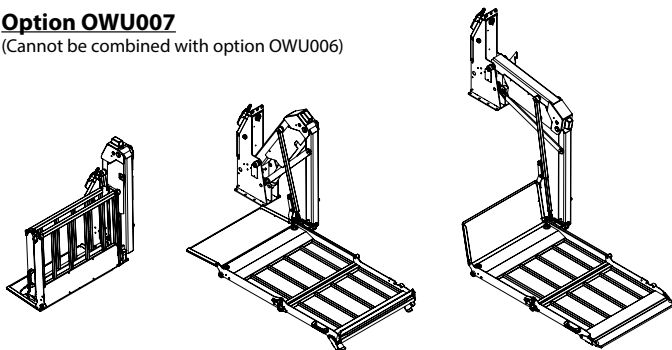
The DH-PH1.03 is a **single-arm lift**, suitable for mounting inside the rear or side doors of a wide range of Multi Passenger Vehicles, minibuses, and ambulance vehicles.

In its standard configuration, the DH-PH1 has its travel position just inside the doors of the vehicle. As an option, it can be equipped with an **articulated frame** [option OWU006], that allows to stow the platform against the side of the body and keeps the access through the vehicle doors completely free.

The DH-PH1 can be mounted at the rear doors or at the side door; at the left or right side in the door aperture.

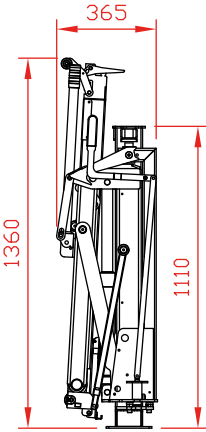
### **Option OWU007**

(Cannot be combined with option OWU006)

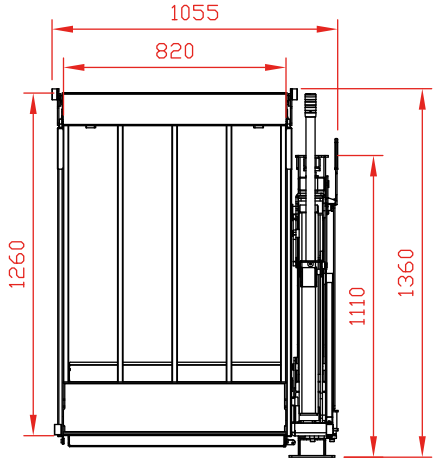


# Step-in model, easy to use and flexible

OWU006 in travel position  
mounted right side



OWU006 in work position  
mounted right side



## Lift capacity Weights [see pg. 19]

CAP		Standard	OWU006
300 kg	1260 mm	123 kg	139 kg

## Fitting dimensions

larm	600	700
vfh max.	700	950

## Technical specifications

Lift frame	<ul style="list-style-type: none"> <li>• 1 lift arm</li> <li>• Standard = fixed frame. The closed platform stands in the door aperture</li> <li>• Option OWU006 = rotating frame. The platform can be swung out of the way to a travel position against the side of the body</li> <li>• Option OWU007 = fixed frame with a 1200 mm foldable platform</li> </ul>
Cylinders	1 lift cylinder
Type of ride [see pg. 8-9]	Flat platform, level ride
Platform details	<ul style="list-style-type: none"> <li>• Reinforced platform in meshed steel</li> <li>• Automatic roll-stop at the outboard platform edge</li> <li>• Automatic bridge plate and toe-guard at the inboard platform edge</li> </ul>
Safety rails	1, folding automatically
Standard platform depths	<ul style="list-style-type: none"> <li>• 1080 - 1170 - 1260 mm standard</li> <li>• 1200 mm for OWU007</li> <li>• Other depths on request [OWP002.L]</li> </ul>
Standard platform widths	820 mm standard / 720 mm optional [OWP002.W]
Std. control unit [see pg. 11]	OAE001
Standard finish of the lift frame	Protection PLUS [OAT102]